

with independent sideshift - rubber coated arms - both arms swivelling - 2 hydraulic functions

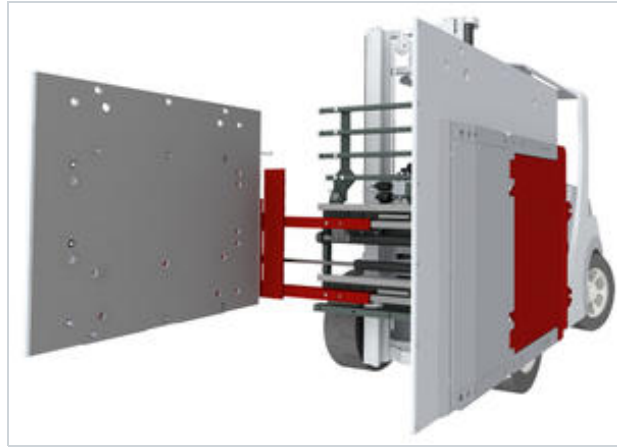
Technical Data

Model	Cap. kg	LCD mm	S mm	A mm	B mm	E mm	F mm	G mm	ISO	V mm	CofG Z mm	Weight kg	Price 人民币
1,5T414-1L	1.250	500	±100	480-1.660	970	55	1.000	1.000	2	133	311	441	On request
1,5T414-1L	1.250	500	±100	480-1.660	970	55	1.000	1.200	2	133	367	481	On request
1,5T414-1L	1.250	500	±100	480-1.660	970	55	1.200	1.200	2	133	438	545	On request
1,5T414-1L	1.250	500	±100	480-1.660	970	55	1.200	1.380	2	133	458	593	On request
1,5T414-1L	1.250	500	±100	330-1.430	1.040	55	1.000	1.000	2	133	310	443	On request
1,5T414-1L	1.250	500	±100	330-1.430	1.040	55	1.000	1.200	2	133	366	483	On request
1,5T414-1L	1.250	500	±100	330-1.430	1.040	55	1.200	1.200	2	133	437	547	On request
1,5T414-1L	1.250	500	±100	330-1.430	1.040	55	1.200	1.380	2	133	456	595	On request
1,5T414-1L	1.250	500	±100	410-1.590	1.040	55	1.000	1.000	2	133	310	443	On request
1,5T414-1L	1.250	500	±100	410-1.590	1.040	55	1.000	1.200	2	133	366	483	On request
1,5T414-1L	1.250	500	±100	410-1.590	1.040	55	1.200	1.200	2	133	437	547	On request
1,5T414-1L	1.250	500	±100	410-1.590	1.040	55	1.200	1.380	2	133	456	595	On request
1,5T414-1L	1.250	500	±100	490-1.840	1.130	55	1.000	1.000	2	133	307	453	On request
1,5T414-1L	1.250	500	±100	490-1.840	1.130	55	1.000	1.200	2	133	363	493	On request
1,5T414-1L	1.250	500	±100	490-1.840	1.130	55	1.200	1.200	2	133	433	557	On request
1,5T414-1L	1.250	500	±100	490-1.840	1.130	55	1.200	1.380	2	133	452	605	On request
1,5T414-1L	1.250	500	±100	470-1.870	1.200	55	1.000	1.000	2	133	306	462	On request
1,5T414-1L	1.250	500	±100	470-1.870	1.200	55	1.000	1.200	2	133	361	502	On request
1,5T414-1L	1.250	500	±100	470-1.870	1.200	55	1.200	1.200	2	133	431	566	On request
1,5T414-1L	1.250	500	±100	470-1.870	1.200	55	1.200	1.380	2	133	450	614	On request

2T414-1L	2.000	500	±100	525-1.725	970	60	1.000	1.000	2	143	303	511	On request
2T414-1L	2.000	500	±100	525-1.725	970	60	1.000	1.200	2	143	363	556	On request
2T414-1L	2.000	500	±100	525-1.725	970	60	1.200	1.200	2	143	394	620	On request
2T414-1L	2.000	500	±100	525-1.725	970	60	1.200	1.380	2	143	447	677	On request
2T414-1L	2.000	500	±100	525-1.725	970	60	1.000	1.000	3	143	303	511	On request
2T414-1L	2.000	500	±100	525-1.725	970	60	1.000	1.200	3	143	363	556	On request
2T414-1L	2.000	500	±100	525-1.725	970	60	1.200	1.200	3	143	394	620	On request
2T414-1L	2.000	500	±100	525-1.725	970	60	1.200	1.380	3	143	447	677	On request

Model	Cap. kg	LCD mm	S mm	A mm	B mm	E mm	F mm	G mm	ISO	V mm	CofG Z mm	Weight kg	Price 人民币
2T414-1L	2.000	500	±100	555-1.855	1.040	60	1.000	1.000	2	143	301	516	On request
2T414-1L	2.000	500	±100	555-1.855	1.040	60	1.000	1.200	2	143	361	561	On request
2T414-1L	2.000	500	±100	555-1.855	1.040	60	1.200	1.200	2	143	392	625	On request
2T414-1L	2.000	500	±100	555-1.855	1.040	60	1.200	1.380	2	143	445	682	On request
2T414-1L	2.000	500	±100	555-1.855	1.040	60	1.000	1.000	3	143	301	516	On request
2T414-1L	2.000	500	±100	555-1.855	1.040	60	1.000	1.200	3	143	361	561	On request
2T414-1L	2.000	500	±100	555-1.855	1.040	60	1.200	1.200	3	143	392	625	On request
2T414-1L	2.000	500	±100	555-1.855	1.040	60	1.200	1.380	3	143	445	682	On request
2T414-1L	2.000	500	±100	465-1.765	1.130	60	1.000	1.000	2	143	299	521	On request
2T414-1L	2.000	500	±100	465-1.765	1.130	60	1.000	1.200	2	143	358	566	On request
2T414-1L	2.000	500	±100	465-1.765	1.130	60	1.200	1.200	2	143	389	630	On request
2T414-1L	2.000	500	±100	465-1.765	1.130	60	1.200	1.380	2	143	442	687	On request
2T414-1L	2.000	500	±100	465-1.765	1.130	60	1.000	1.000	3	143	299	521	On request
2T414-1L	2.000	500	±100	465-1.765	1.130	60	1.000	1.200	3	143	358	566	On request
2T414-1L	2.000	500	±100	465-1.765	1.130	60	1.200	1.200	3	143	389	630	On request
2T414-1L	2.000	500	±100	465-1.765	1.130	60	1.200	1.380	3	143	442	687	On request
2T414-1L	2.000	500	±100	465-1.965	1.330	60	1.000	1.000	2	143	285	545	On request
2T414-1L	2.000	500	±100	465-1.965	1.330	60	1.000	1.200	2	143	344	590	On request
2T414-1L	2.000	500	±100	465-1.965	1.330	60	1.200	1.200	2	143	375	654	On request
2T414-1L	2.000	500	±100	465-1.965	1.330	60	1.200	1.380	2	143	428	711	On request
2T414-1L	2.000	500	±100	465-1.965	1.330	60	1.000	1.000	3	143	285	545	On request
2T414-1L	2.000	500	±100	465-1.965	1.330	60	1.000	1.200	3	143	344	590	On request
2T414-1L	2.000	500	±100	465-1.965	1.330	60	1.200	1.200	3	143	375	654	On request
2T414-1L	2.000	500	±100	465-1.965	1.330	60	1.200	1.380	3	143	428	711	On request
2T414-1L	2.000	500	±100	575-2.375	1.520	60	1.000	1.000	2	143	278	569	On request
2T414-1L	2.000	500	±100	575-2.375	1.520	60	1.000	1.200	2	143	337	614	On request
2T414-1L	2.000	500	±100	575-2.375	1.520	60	1.200	1.200	2	143	368	678	On request
2T414-1L	2.000	500	±100	575-2.375	1.520	60	1.200	1.380	2	143	421	735	On request
2T414-1L	2.000	500	±100	575-2.375	1.520	60	1.000	1.000	3	143	278	569	On request
2T414-1L	2.000	500	±100	575-2.375	1.520	60	1.000	1.200	3	143	337	614	On request
2T414-1L	2.000	500	±100	575-2.375	1.520	60	1.200	1.200	3	143	368	678	On request
2T414-1L	2.000	500	±100	575-2.375	1.520	60	1.200	1.380	3	143	421	735	On request

Add-on price for 100mm armlength / -height on request,
Possible with automatic pressure selection (upon request)
For contact pad coatings see accessories in the pricelist.
Also available without sideshift, model T404-1L
Load Backrest see model T179.



Specification:

Equipped with parallel running contact

pads the KAUP Appliance-/Carton Clamp T414-1L is used to transport white and brown product as well as other wide loading property certainly.

Qualities:

- Low lost load - very good residual capacities
- Very good visibility conditions
- Independent sideshift serially
- Load backrest optionally